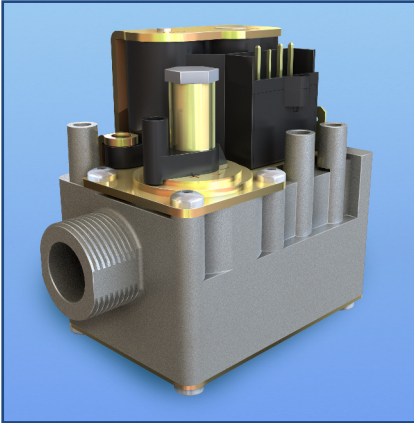
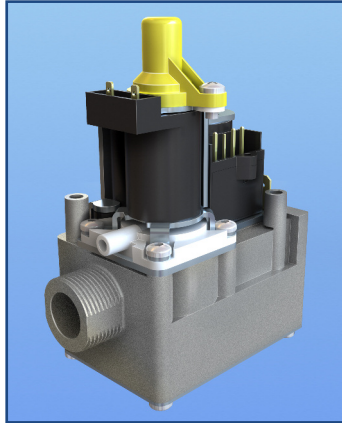


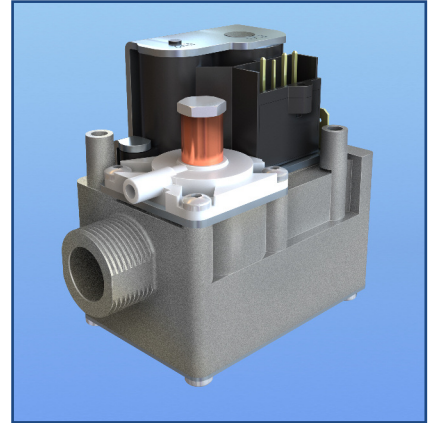
## Pactrol European Multifunctional Gas Control Valve Range



**98310 - PAM Valve**



**98313 - Electrically Modulating Gas Control Valve**



**98314 - Multifunctional Single Stage Gas Control Valve**

The range of valves has been developed for use in gas fired domestic boilers, water heaters and light commercial appliances with automatic ignition systems.

- CE Approval to normative reference EN126
- Compact design suitable for installation in small modern boilers and appliances
- Inlet /outlet test points, all adjustments accessible from the top of the valve.
- Multipoise mounting with mesh inlet filter and corrosion resistant valve seats
- Solenoids available (B+J) – 230V ac, 230V rac, 24V ac, 24V dc

### **98310** – 1:1 Pneumatic Air Modulation (PAM)

- Accurate offset adjustment and main gas flow throttle
- Suitable for all premix burner applications

### **98313**

- Modulating 165mA coil or 230V hi/lo coil
- Servo pressure regulator ensures stable outlet pressures
- Pressure feedback ensures constant burner pressure on fanned appliances.

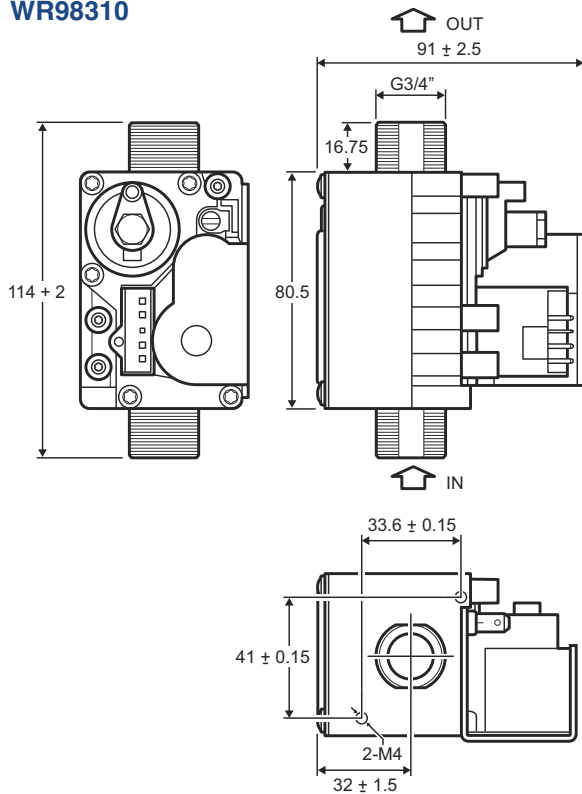
### **98314**

- Single stage control
- Fast, slow and adjustable slow opening options available
- Servo pressure regulator ensures stable outlet pressures
- Pressure feedback ensures constant burner pressure on fanned appliances.

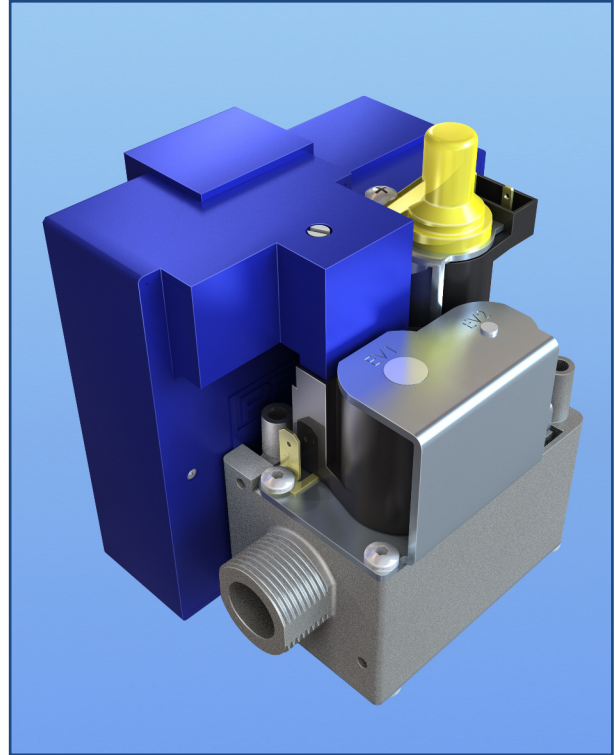
All models are suitable for operation with the Pactrol P25F range of ignition controls. The P25F CVC can be mounted directly onto the valve for compact installation.

## Dimensions - Units mm

### WR98310



### P25F CVC ignition control option



## Technical Data

Mounting position – vertical or horizontal + - 5deg

Type of Gas – NG or LPG

Gas Inlet Pressure – Max 60mb

Gas outlet pressures

98310 – 0.5 mb min to 15mb max

98313 – 2mb to 37mb

98314 – 2mb to 37mb

Inlet filter – no 100 fine mesh

Valve Class – EN 126, EV1 – Type B, EV2 – Type d or J

Class of regulator EN126

98310 – Class B EN88, 98313, 98314 – Class C

Closing time of safety shut off valves – less than 1 sec

Unit weight

98310 – 760g, 98314 – 870g, 98313 – 980g

Modulation characteristics

98310 – Min signal pressure 0.3mb, Fixed pressure + - 0.2mb

98313 – Max current 165mA, max voltage 13.2V

98314 – not applicable

This information may be modified at any time.

Issue 2 - 27/02/18

## Emerson Commercial & Residential Solutions

Pactrol Controls Ltd  
Unit 3 Antler Court  
Wigan, Lancs WN4 8DU  
United Kingdom

Tel: +44 (0) 1942 529250  
pactrolsales@emerson.com  
Registered in England and Wales No. 00949364

